

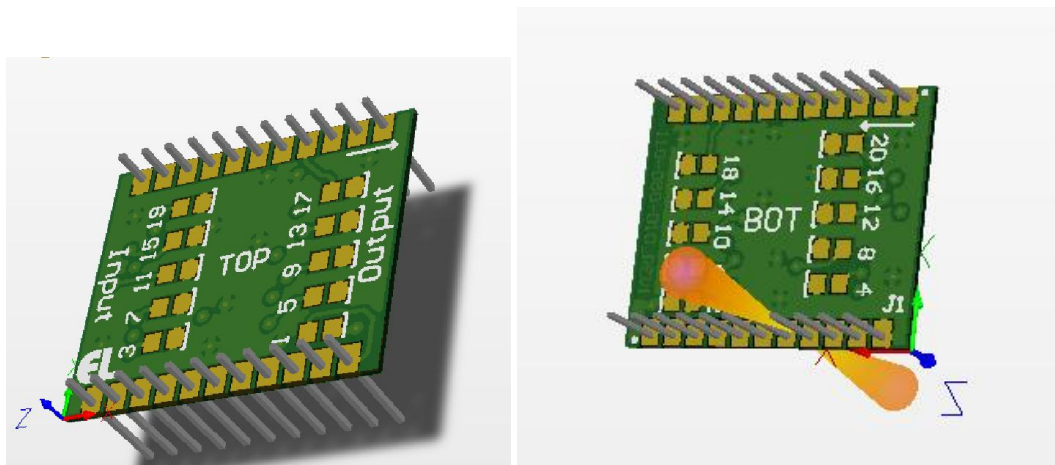
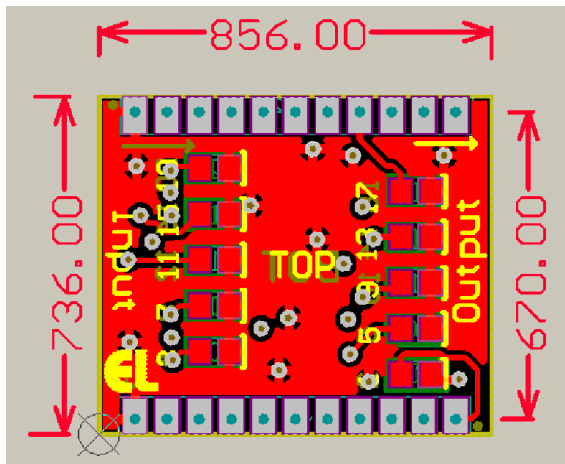
**Chuck Brodeur**

## **Custom Chip – 20 sensor array PCB**

The client wanted to build a small custom DIP chip using their proprietary sensors in die form. The sensors could not be subjected to high temperatures, so we worked with conductive epoxy manufacturers to determine a solution that would work.

A small custom (< 1 inch square) PCB was designed per their required pinout with 10 sensor locations on each top and bottom. We also worked with a local PCB fab house to provide a non-standard thickness.

The PCB layout top view and 3D rendering of the board are shown below.



The client was able to manufacture, test, and pot this assembly. It is currently in production.